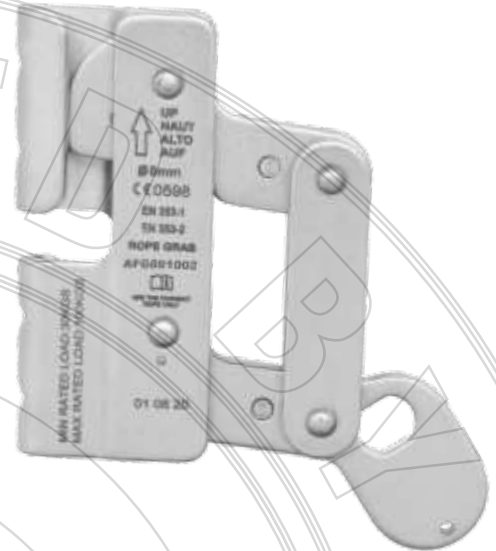


## REMOVABLE STAINLESS STEEL ROPE GRAB FOR 8MM STEEL WIRE ROPE

AF G801002

### Features

Moving Rope Grab (AFG801002) on flexible anchorage line.  
Moves along with the user climbing up or down and locks him  
in the case of a fall.  
Automatic locking system.  
Suitable for 8 mm Steel Wire Rope Line.



### How To Use

Refer to User Instruction Manual



### Metal Components

Material : Stainless Steel  
Finish : Polished

### Weight

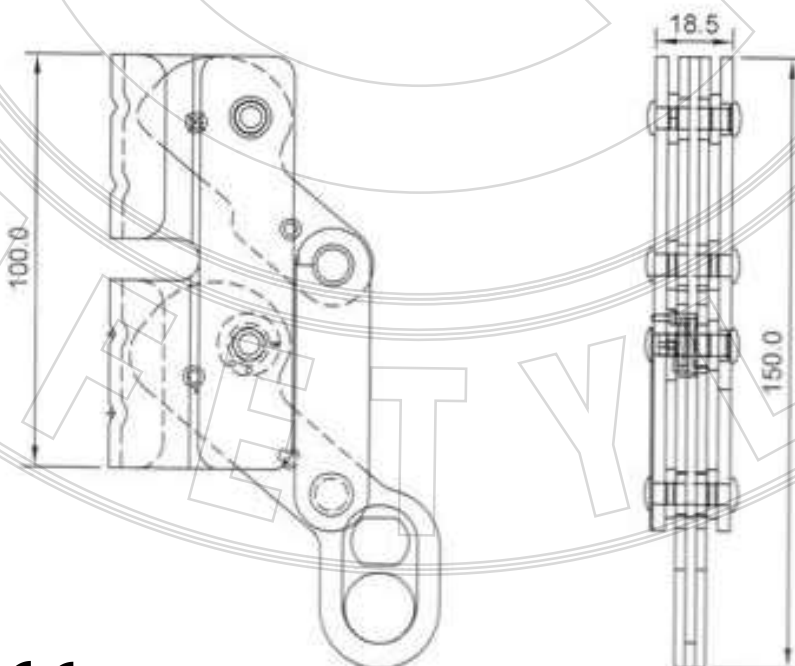
473 gm ± 10 gm

### System Strength

MBS: 15 kN

### Relevant Standards

Tested as per EN 353-2:2002 & ANSI Z 359.1-2007



CE 0598