

MEGAPOD TRIPOD 7FT FOR 2 USERS

AFT710007HD

KStrong Megapod Tripod has been designed for confined space entry / retrieval applications. Its simplistic design allows for easy set up providing the user a means of controlled ascent and descent in minimal time.

Features

- ✓ Double integral head mounted pulleys which is permanently incorporated in the cast aluminum head of the Tripod and provides independent passing over of cable from a Winch and a Retrieval Block.
- ✓ Two auxiliary 23kN eye bolts as attachment points.
- ✓ Every Tripod is provided with pre-installed universal mounting attachments to easily mount all KStrong Retrieval Blocks and Extreme Winches.
- ✓ Adjustable height from 1.25m to 2.24m
- ✓ Steel Chain to secure the legs
- ✓ Comes with Tripod bag
- ✓ Suitable for 2 Users

How To Use

Refer User Instructions



Load Capacity

Maximum Load Capacity:

- ✓ Personal use 200kg
- ✓ Materials Handling 650 kg

Material

- Tripod Legs : Material - Prime Quality Aluminum Alloy
Finish- Anodized.
- Cast Head : Material - Prime Quality Aluminum Alloy
Finish- ED Coated Black.
- Eye Bolt : Material - Aluminum Alloy eye bolt, Rated 25kN
- Locking Pins : Material - Stainless Steel locking pin
- Chain : Material - Alloy Steel Galvanized

Weight

19.01 kg ± 0.10 Kgs

System Strength

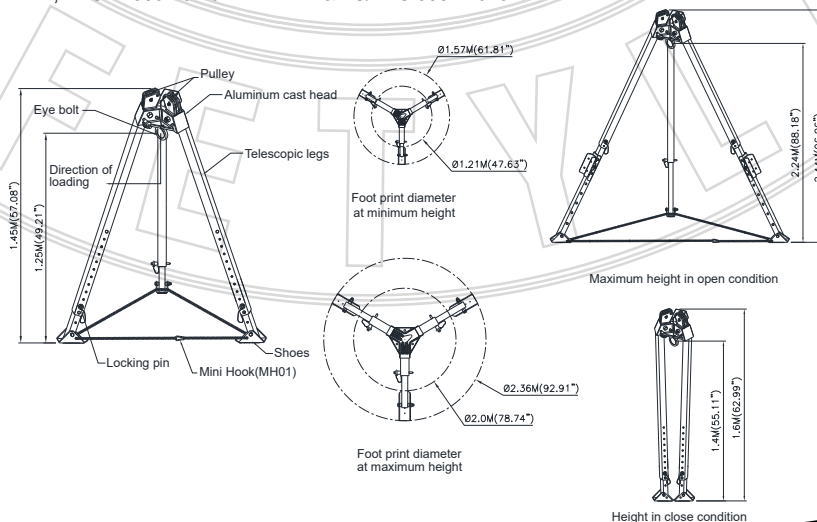
23kN MBS

Relevant Standards

Conforms to EN 795:2012 TYPE B, ANSI Z 359.18-2017 TYPE A & AS/NZS 5532.2013



Product Code	Picture	Bracket used for Mounting
Winch Bracket AFT710007UW		Winch AFT73020, AFT730040, AFT730120 & AFT730135
Retrieval Bracket AFT710007UR		Retrieval Blocks AFS510020R AFS510030R



CE 0598